

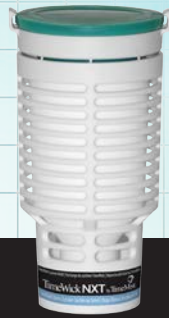
TimeWick **NXT** by TimeMist®

Fresh Thinking and **Fresh Innovation**
CREATE A **FRESH PERSPECTIVE**



- Completely passive system with **no power source**
- Next generation (NXT) cage provides **360° spill prevention**
- **State-of-the-art** polymer wick system
- No propellant and **VOC exempt**
- **60 day fragrance** in standard washroom with 3-4 stalls/fixtures
- **Premium** fragrance oils and odor counteractants

Our propellant free, power free, state-of-the-art wick technology creates a system unlike anything else in the market.



Contains two of each:
Sundried Linen, Xtreme Citrus,
Mango Smoothie

Xtreme Citrus

Sundried Linen

Mango Smoothie

Luscious Apple

Variety Pack

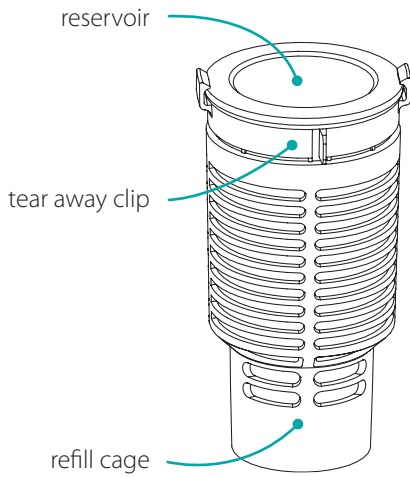
Part #: 1049547
6/case

Part #: 1049549
6/case

Part #: 1049548
6/case

Part #: 1049650
6/case

Part #: 1049713
6/case



How TimeWick NXT works:

- Oil releases into the reservoir at a steady rate
- The state-of-the-art polymer wick quickly absorbs the oil
- The oil then evaporates off the wick providing an even distribution of fragrance
- As the wick dries out, capillary action drives oil to any empty porous spots
- The wick gets refilled and provides 60 days of continuous fragrance
- The protective cage is designed for maximum air flow

Why TimeWick NXT:

Natural Solution:

- Environmentally conscious air freshening*
- Completely recyclable system
- Maximizing fragrance through natural air flow dispersion of essential oils

Discreet Fragrancing:

- Small dispenser and refill for discreet fragrance
- 60 day long lasting continuous fragrance with no sound



DISPENSER
1044155 (6/case)

Set it and forget it with



*Compared to products with batteries

